

Read all instructions before assembling crib. Follow all product warnings on crib. Keep the manual in the sleeve provided for future use.



WARNING: Failure to follow these warnings and assembly instructions could result in serious injury or death.

Caution: Any mattress used in this crib must be at least 27 1/4 in by 51 5/8 in (69 cm x 131 cm) with a thickness not exceeding 6 in (15 cm).

•This crib is to be assembled by an adult•

- Warning: Strings can cause strangulation! Do not place items with a string around a child's neck, such as hood strings or pacifier cords. Do not suspend strings over a crib or attach strings to toys.
- DO NOT place a crib near a window where cords from blinds or drapes may strangle a child.
- Keep wall decorations, especially those with strings, completely out of a child's reach.
- Before each usage or assembly, inspect crib for damaged hardware, loose joints, missing parts or sharp edges. DO NOT use the crib if any parts are missing or broken. Ask your dealer or contact manufacturer for replacement parts and instructional literature if needed. DO NOT substitute parts.
- Check fasteners periodically for tightness. Do not overtighten. This may cause distortion or breakage.
- When a child is able to climb out, reaches the height of 35 in. (89cm) or when the height of the side rail is less than 3/4 of the child's height, the crib shall no longer be used.
- DO NOT use a water mattress with this crib. •If refinishing, use a non-toxic finish specified for children's products.
- When a child is able to pull to a standing position, set the mattress to the lowest position and remove bumper pads, large toys and other objects that could serve as steps for climbing out.
- Never use plastic shipping bags or other plastic films as mattress covers because they can cause suffocation.
- Do not tie pacifiers, necklaces, or any other items around a child's neck or on crib parts. This could cause strangulation.
- Use a crib as a crib, not as a play pen. Remember that a crib is not a substitute for a parent's supervision.
- Parents should ensure a safe environment for their child by checking the crib regularly before placing the child in the product. Please make sure that every component is properly and securely in place.
- Infants can suffocate in gaps between crib sides and a mattress too small.



WARNING: **Infants can suffocate on soft bedding.**
•NEVER add a pillow, comforter or padding.
•NEVER place additional padding under an infant.

- To help prevent strangulation, tighten all fasteners. A child can trap parts of body or clothing on loose fasteners.
- To reduce the risk of SIDS, pediatricians recommend healthy infants be placed on their back to sleep, unless otherwise advised by your physician.

Dorchester

Assembly Manual



eco-chic
BABY

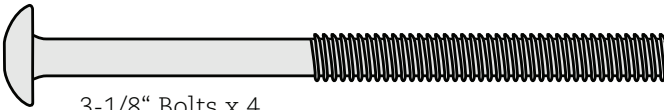
We would like to thank you for purchasing one of our cribs. Because of customers like you, we are able to make a positive impact on our environment, shaping and building a better future for all of our children.

Although caring for the environment is a priority for us at Eco-Chic Baby, you should know that our first and foremost concern is building a safe and sound product for you and your baby. Featuring solid wood construction and no moving parts, our cribs are designed to withstand the test of time; this provides for a safe and sturdy product that will grow with your baby.

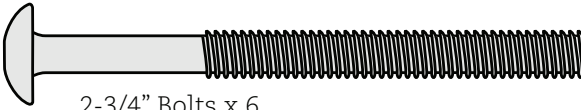
Again, thank you for your support and welcome to our family.

Sincerely,
Eco-Chic Baby

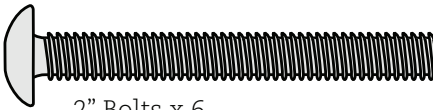
Hardware



3-1/8" Bolts x 4



2-3/4" Bolts x 6



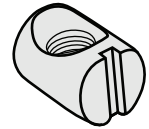
2" Bolts x 6



1-1/4" Philips Bolts x 8



Butterfly Nuts x 8



Barrel Nuts x 4



Small Wood Screws x 7

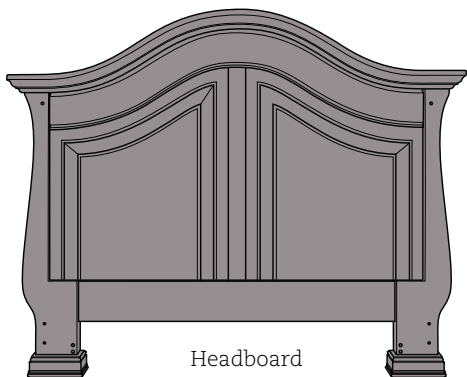


Hex Wrench x 1

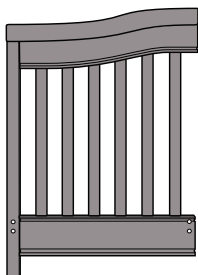
Locking Washers x 8

Be sure to assemble the furniture in a dirt free environment to avoid scratching or damaging

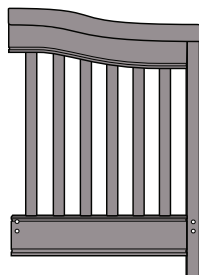
Box Contents



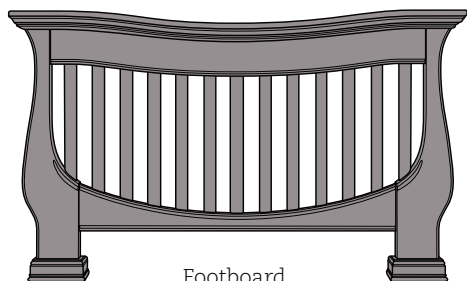
Headboard



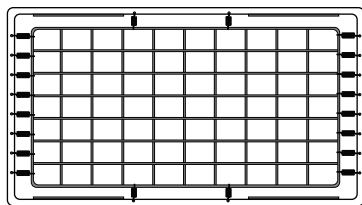
Right Panel



Left Panel



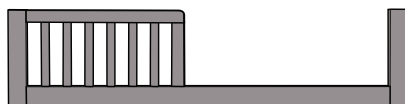
Footboard



Mattress Support (Style may vary)



Cross Bar x 2



Toddler Conversion Rail
(Sold Separately)

Drawer Parts



Drawer Front x 1



Drawer Back x 1



Right Drawer
Support x 1



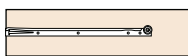
Left Drawer
Support x 1



Middle Drawer Panel x 1



Left Drawer Panel x 1



Right Drawer Panel x 1



Drawer Boards x 2

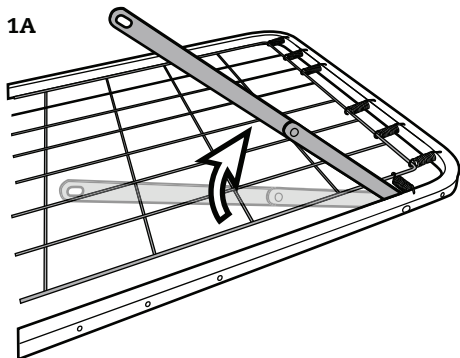
USE OF A POWER TOOL TO ASSEMBLE THIS CRIB MAY STRIP THE WOOD. PLEASE DO NOT USE.

1.) Installing mattress support onto cross bars

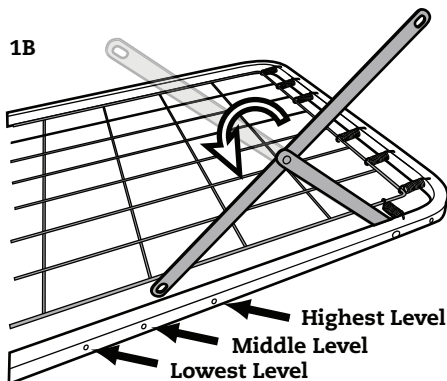
Hardware needed:



1A Swing the arm up as shown. Please note that the style of mattress support may vary.

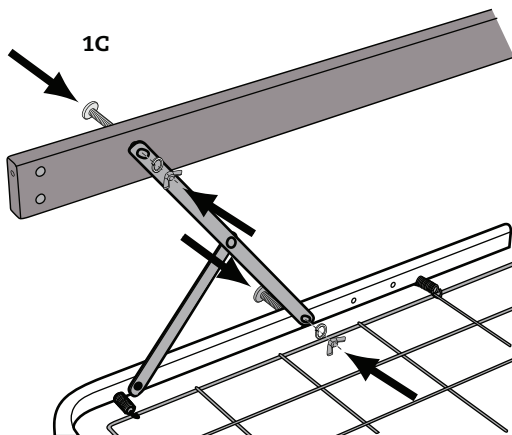


1B Swing the long arm down and find the hole corresponding to the level in which you want the mattress support to be at. Repeat Steps 1A and 1B for all 4 arms. NOTE: It is important to lower the mattress support as you child grows.



1C Attach the support bar to one end of the arm and attach the mattress support to the other end using the philips bolt, lock washer and butterfly nut.

Make sure the other side is at the same level and do the same. The arms attach on the inside of the support bar.



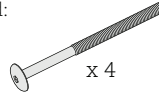
USING THE MATTRESS SUPPORT IN ANY NON-INTENDED POSITIONS MAY CAUSE SERIOUS INJURY OR HARM TO YOUR CHILD.

USE OF A POWER TOOL TO ASSEMBLE THIS CRIB MAY STRIP THE WOOD. PLEASE DO NOT USE.

2.) Attaching mattress support to left and right sides.

Hardware needed:

3-1/8" Bolts

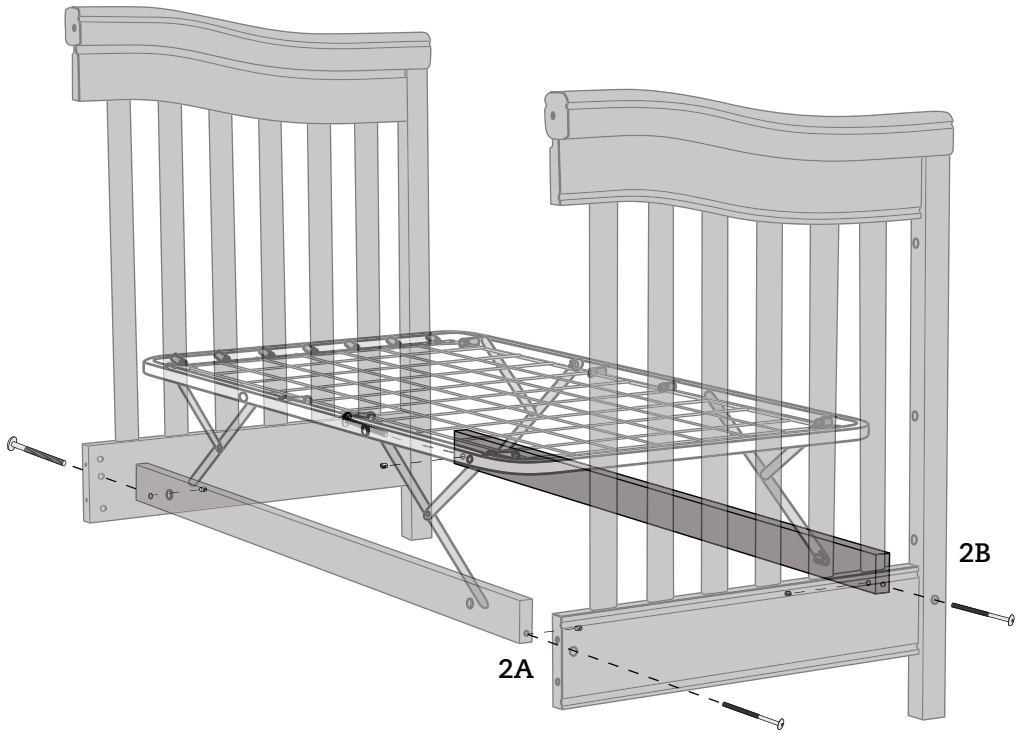


x 4

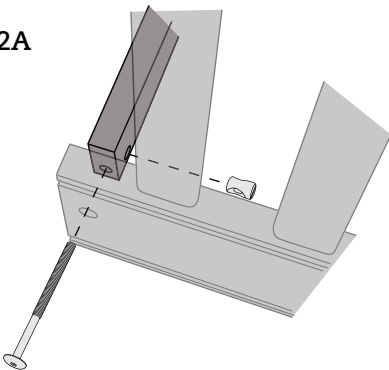


x 4

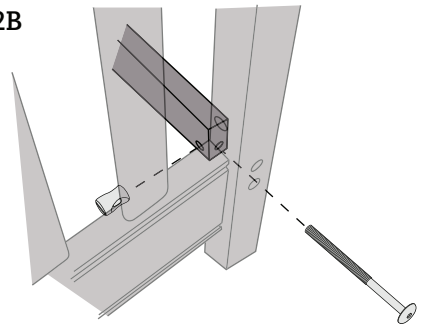
Attach each side using two 3-1/8" bolts and two barrel nuts for each side.



2A



2B

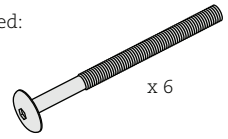


USE OF A POWER TOOL TO ASSEMBLE THIS CRIB MAY STRIP THE WOOD. PLEASE DO NOT USE.

3.) Attaching headboard.

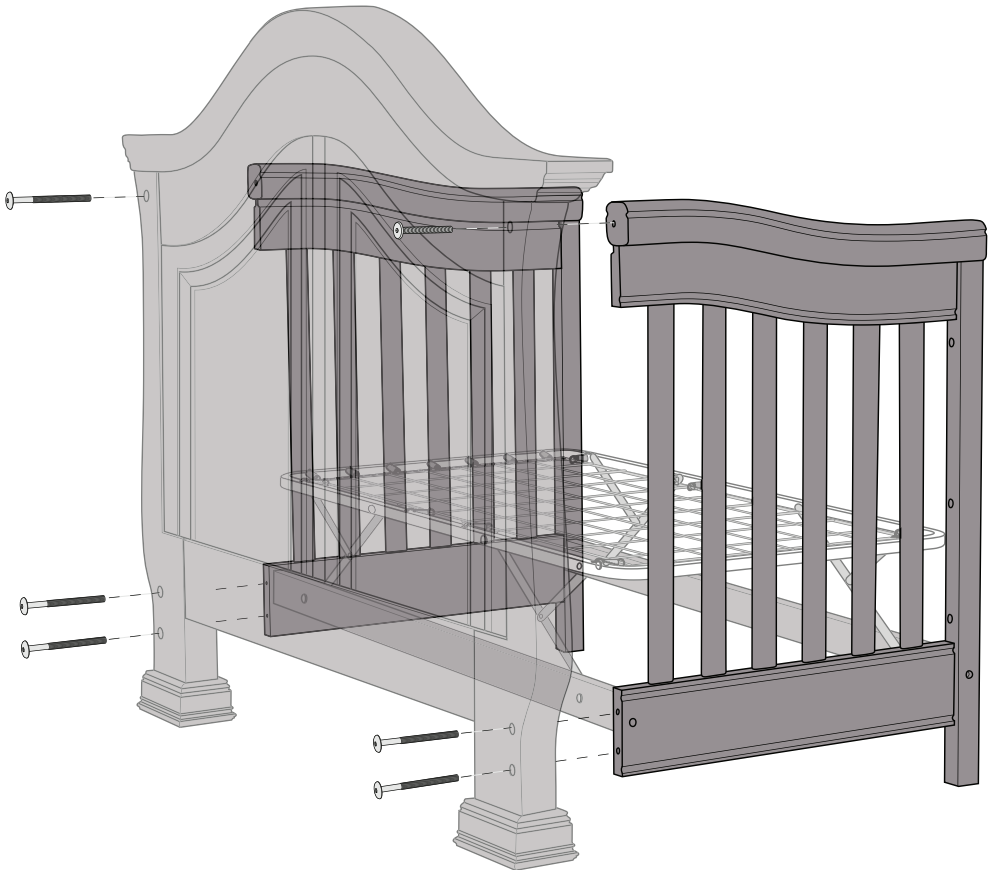
Hardware needed:

2-3/4" Bolts



x 6

Attach headboard to mattress support/side assembly using six 2-3/4" bolts.

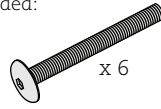


USE OF A POWER TOOL TO ASSEMBLE THIS CRIB MAY STRIP THE WOOD. PLEASE DO NOT USE.

4.) Attaching footboard and drawer supports.

Hardware needed:

2" BOLTS



x 6

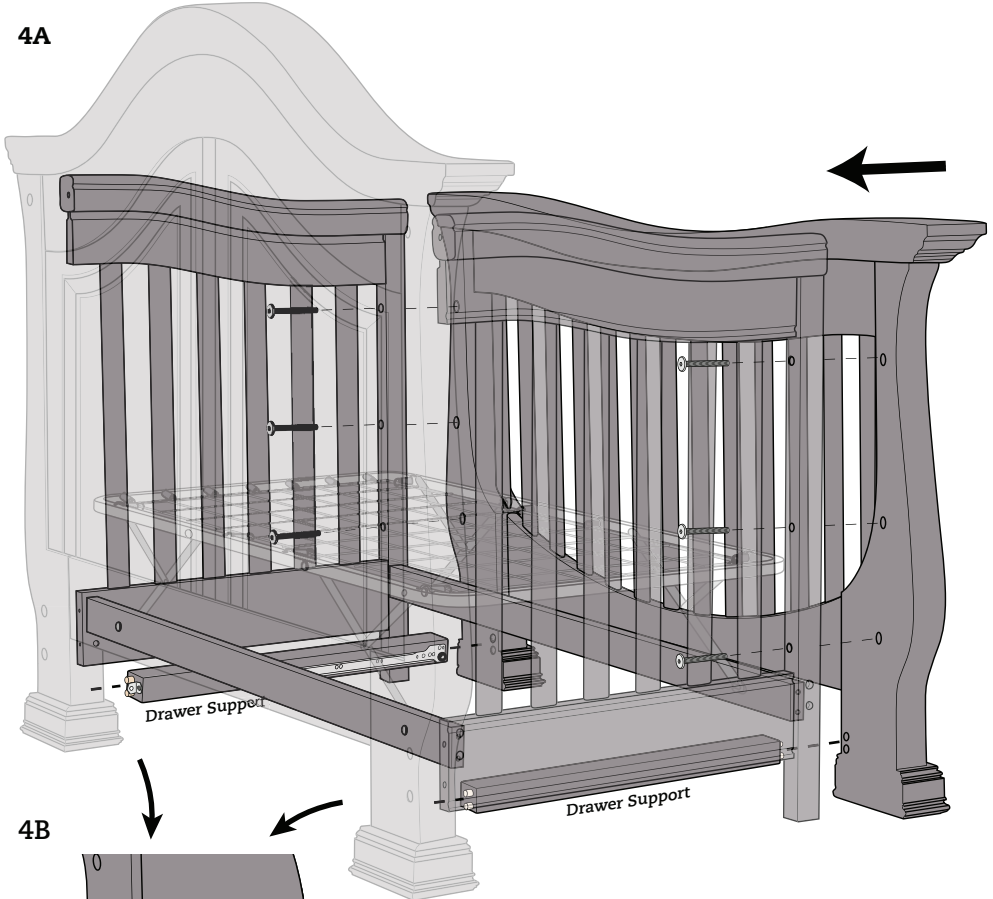


x 2

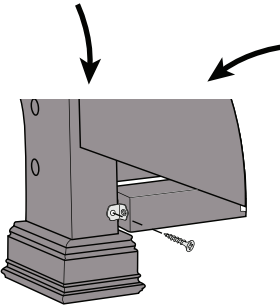
SMALL WOOD SCREWS

4A. Attach drawer supports by inserting the wooden dowels into the base of the headboard. Attach the footboard with four 2" bolts. **4B.** Secure each drawer support to each headboard leg with one small wood screw.

4A



4B



USE OF A POWER TOOL TO ASSEMBLE THIS CRIB MAY STRIP THE WOOD. PLEASE DO NOT USE.

5.) Attach drawer back to left, right and center drawer panels. Insert drawer boards.

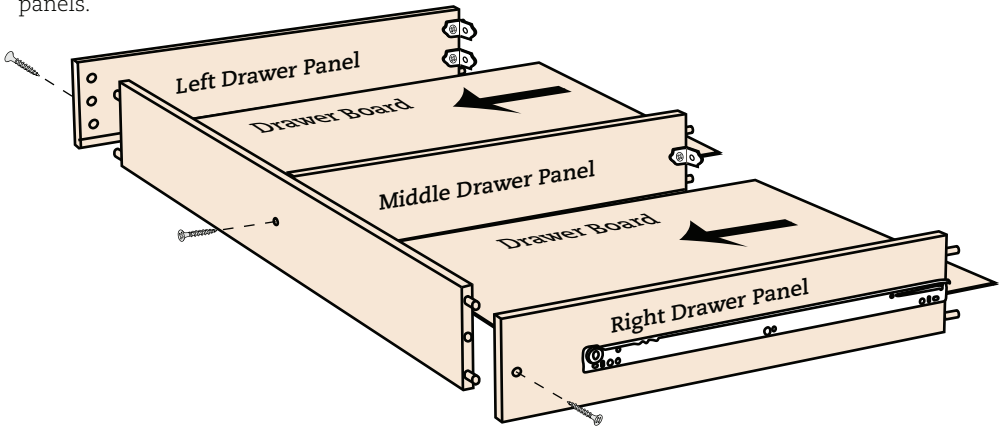
Hardware needed:

LARGE WOOD SCREWS



x 3

5A. Attach the rear drawer panel to the drawer using 3 large wood screws. **DO NOT USE POWER TOOL. DO NOT OVER-TIGHTEN.** **5B.** Slide drawer boards along the grooves of the panels.



6.) Attaching front panel to drawer

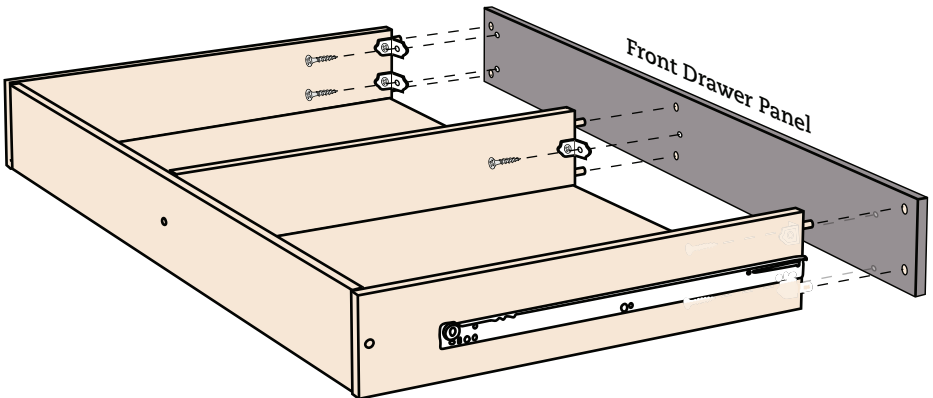
Hardware needed:

SMALL WOOD SCREWS



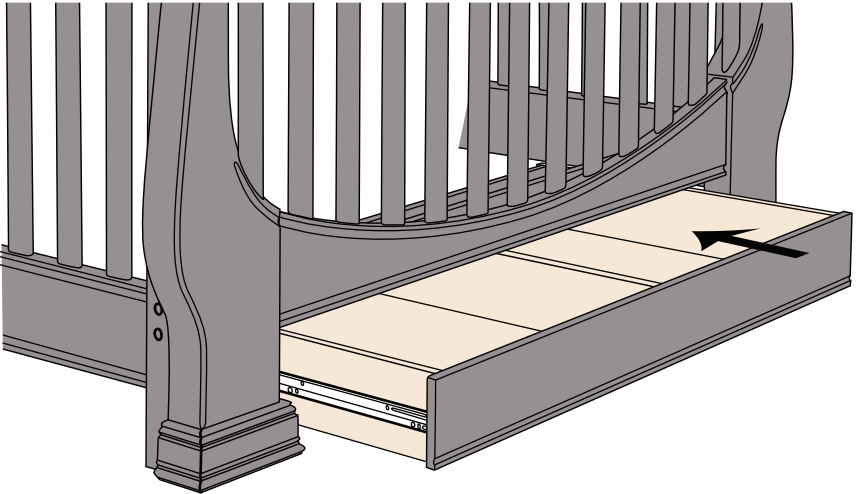
x 5

Line up drawer face to the dowels located on the ends of the left, center and right drawer panels. Use 5 wood screws to secure the drawer face to the pre-installed angle brackets.



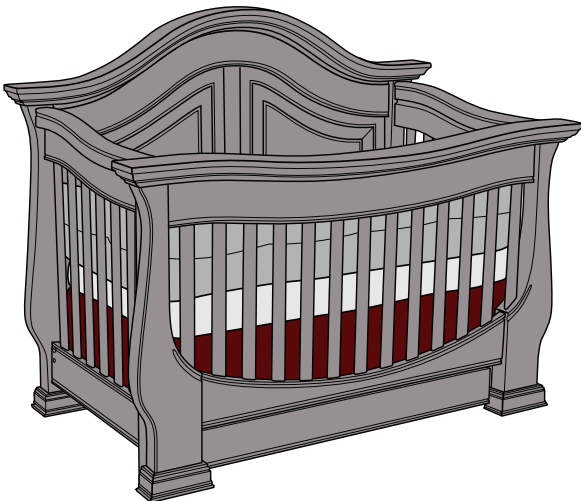
USE OF A POWER TOOL TO ASSEMBLE THIS CRIB MAY STRIP THE WOOD. PLEASE DO NOT USE.

7.) Insert drawer into crib



Before using the crib, please recheck all bolts and screws and make sure they are tight and secure. Be careful not to over-tighten the hardware.

READ ALL WARNINGS AND CAUTION STATEMENTS ON PAGE 10 BEFORE USING.



The Dorchester converts to a toddler bed using a conversion rail that is sold separately. Instructions to convert to a toddler bed are on page 7.

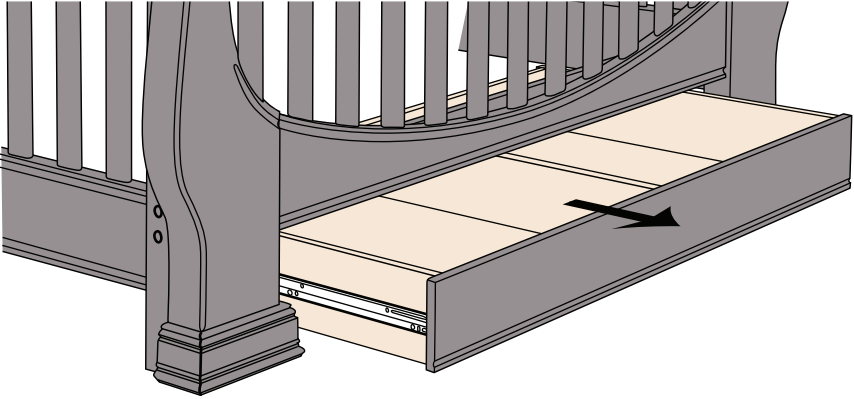
The Dorchester also converts to a full size bed. The full size conversion rail kit is sold separately and the instructions are included with the kit.

Converting Your Dorchester Crib Into A Toddler Bed

The toddler bed user's minimum age must be at least 15 months old and maximum weight must not exceed 50lbs.

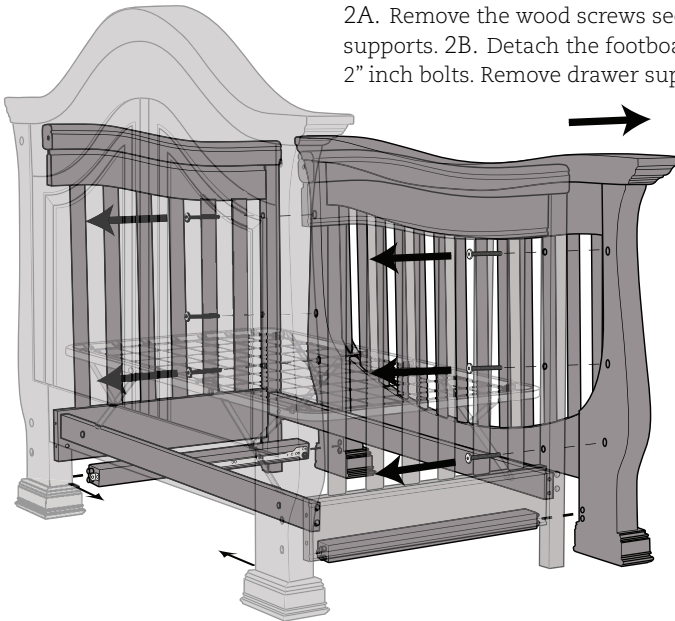
STEP ONE

Remove drawer from crib.



STEP TWO

2A. Remove the wood screws securing the drawer supports. 2B. Detach the footboard by removing six 2" inch bolts. Remove drawer supports.



Converting Your Dorchester Crib Into A Toddler Bed

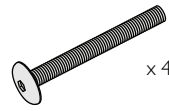
STEP THREE

Lower the mattress support to the lowest setting. Please refer to Step #1 on how to adjust the mattress support.



Converting Your Dorchester Crib Into A Toddler Bed

Hardware needed:



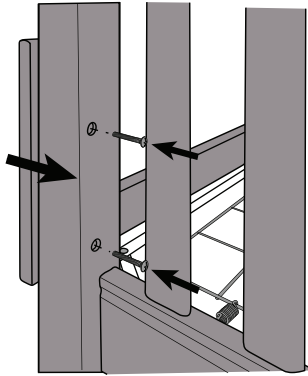
2" Bolts

x 4

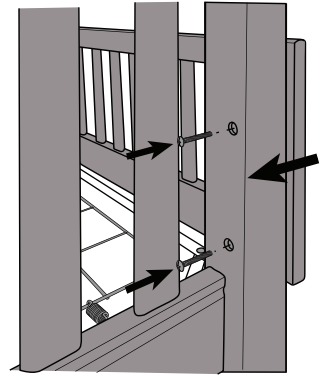
STEP FOUR

Attach the toddler rail to the left and right panels using four 2" bolts.

Recheck and make sure all bolts are securely fastened and tightened.



You may want to place a cloth against the side panel slats while attaching the rail to prevent scratching of the wood.



Before using the bed, please recheck all bolts and screws and make sure they are tight and secure. Be careful not to over-tighten the hardware.

!!READ ALL TODDLER BED WARNINGS AND CAUTION STATEMENTS ON PAGE 11 BEFORE USING!!

