

KENNEDY

Classic Crib Instructions



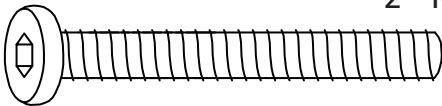
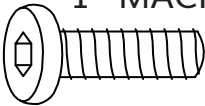



IMPORTANT NOTES BEFORE YOU INSTALL

ASSEMBLE UNIT IN A DEBRIS FREE LOCATION TO PREVENT SCRATCHING OF PIECES.

USING A POWER SCREWDRIVER MAY DAMAGE AND STRIP THE WOOD. DO NOT USE.

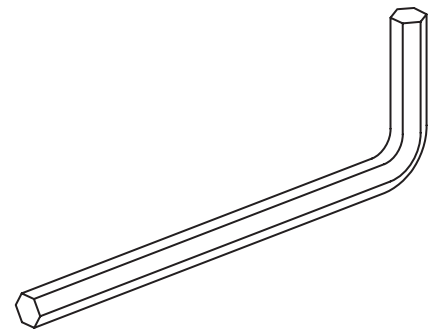
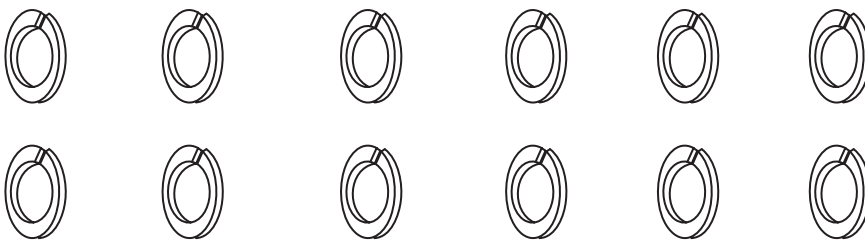
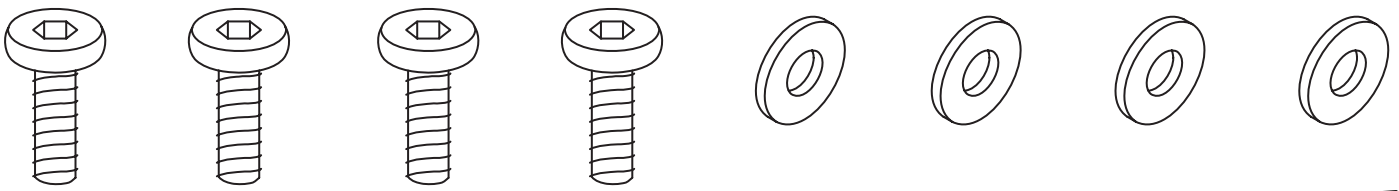
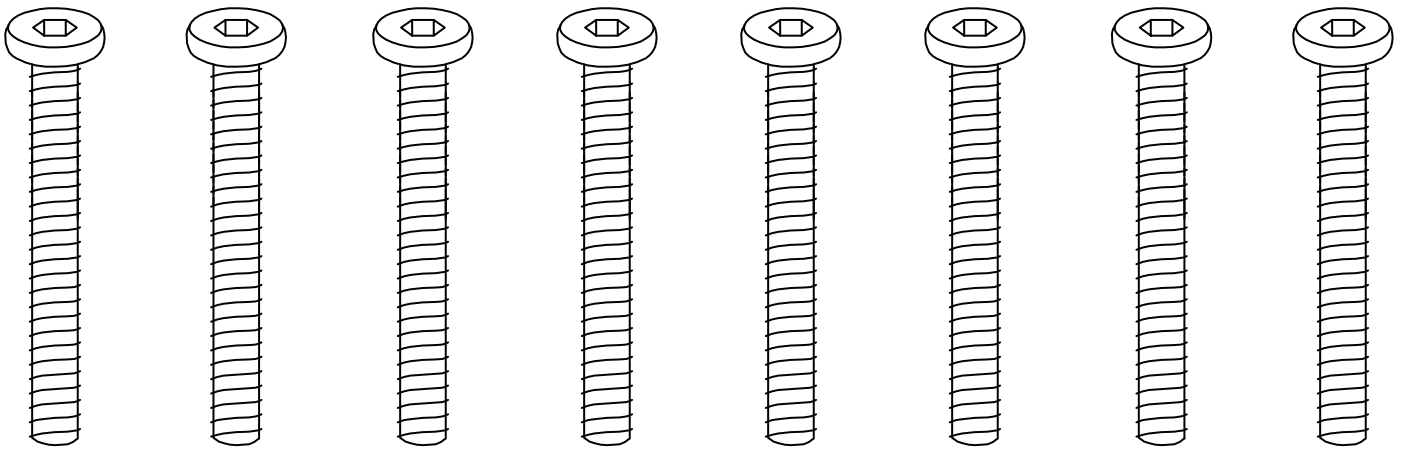
DO NOT FULLY THIGHTEN THE BOLTS UNTIL THE CRIB IS COMPLETELY ASSEMBLED.

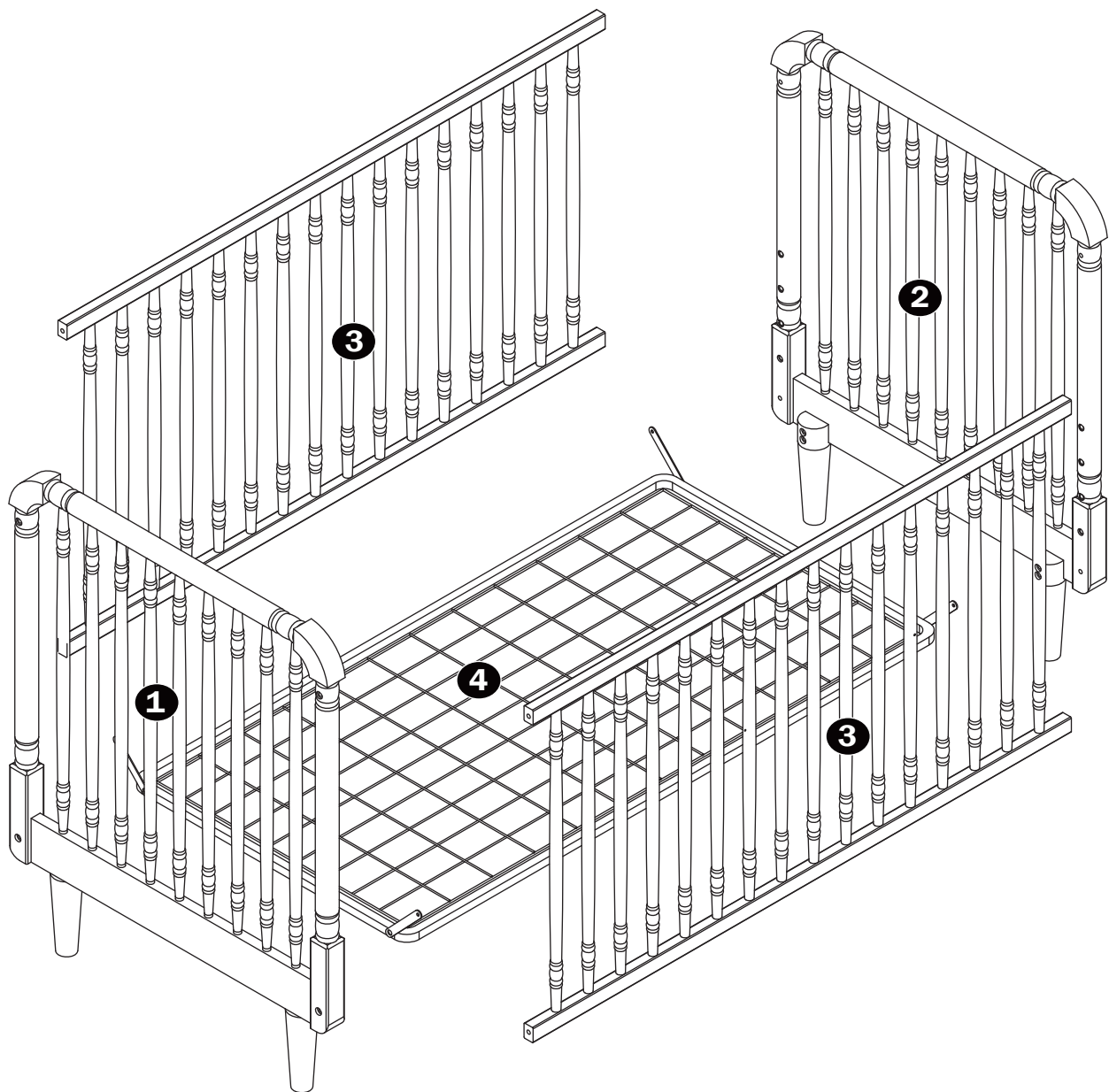
HARDWARE

A	 2" MACHINE BOLT x 8	B	 1" MACHINE BOLT x 4
C	D	E	
 LOCK WASHER x 12	 WASHER x 4	 ALLEN WRENCH x 1	

HARDWARE FOR CRIBS

SEPERATE HARDWARE FIRST FOR EASIER INSTALLATION

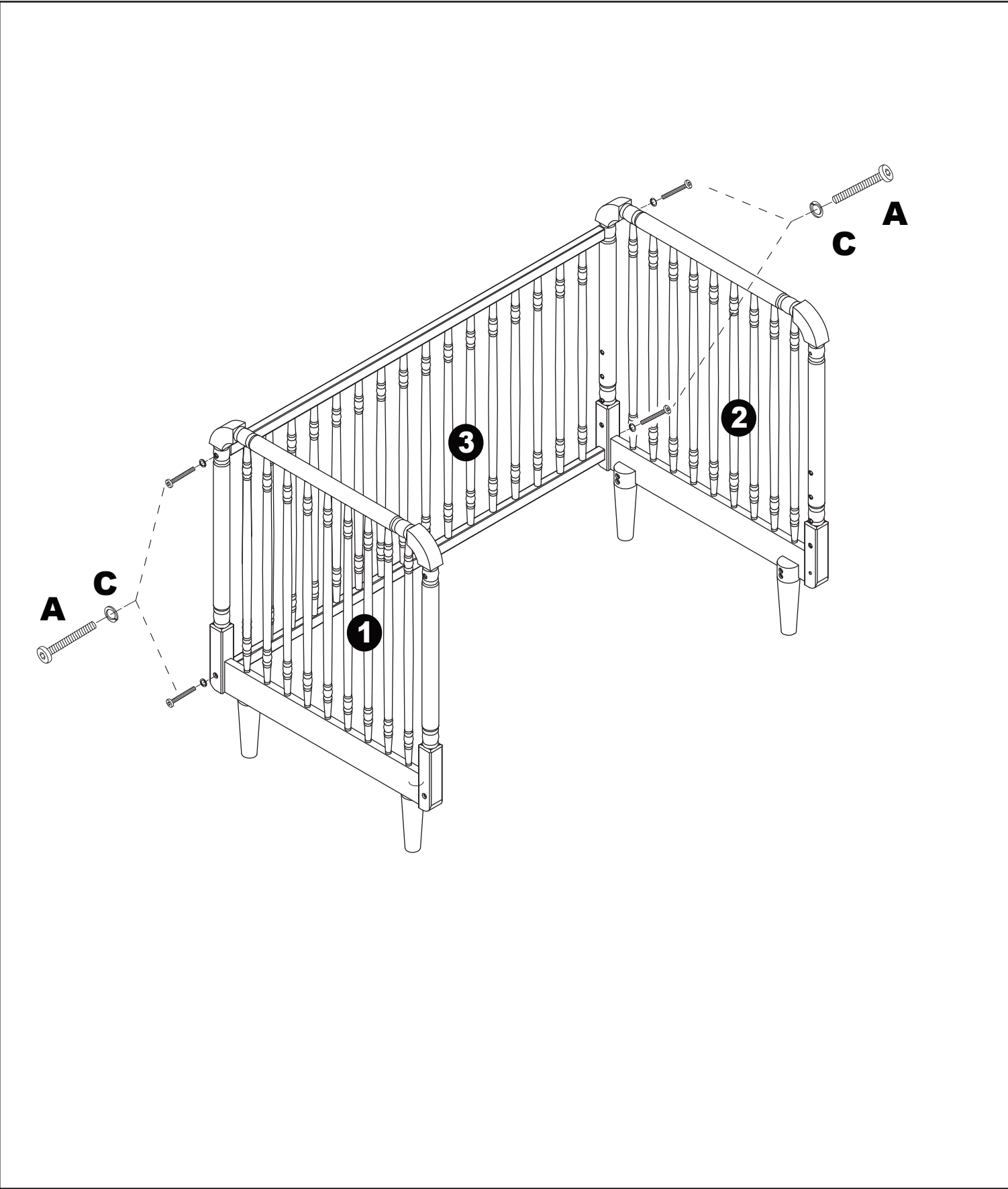




PARTS LIST

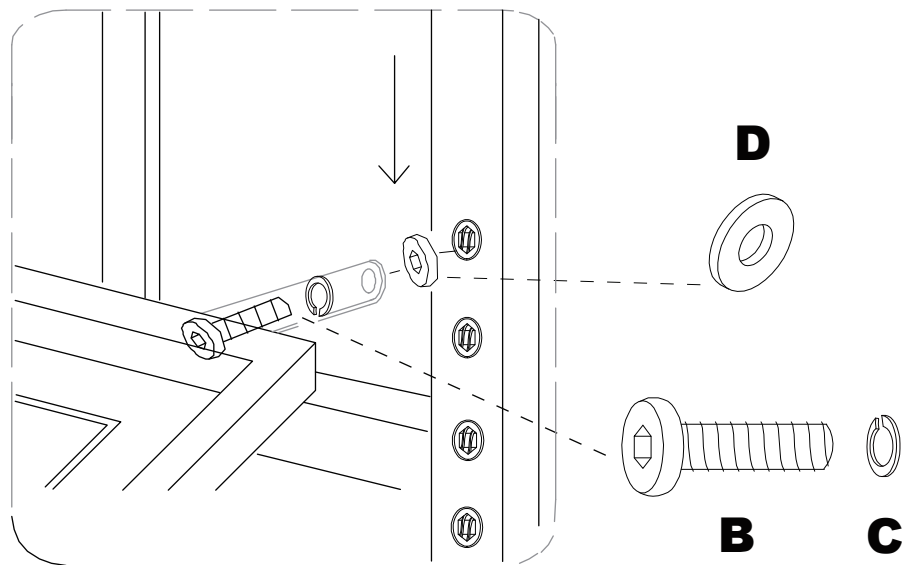
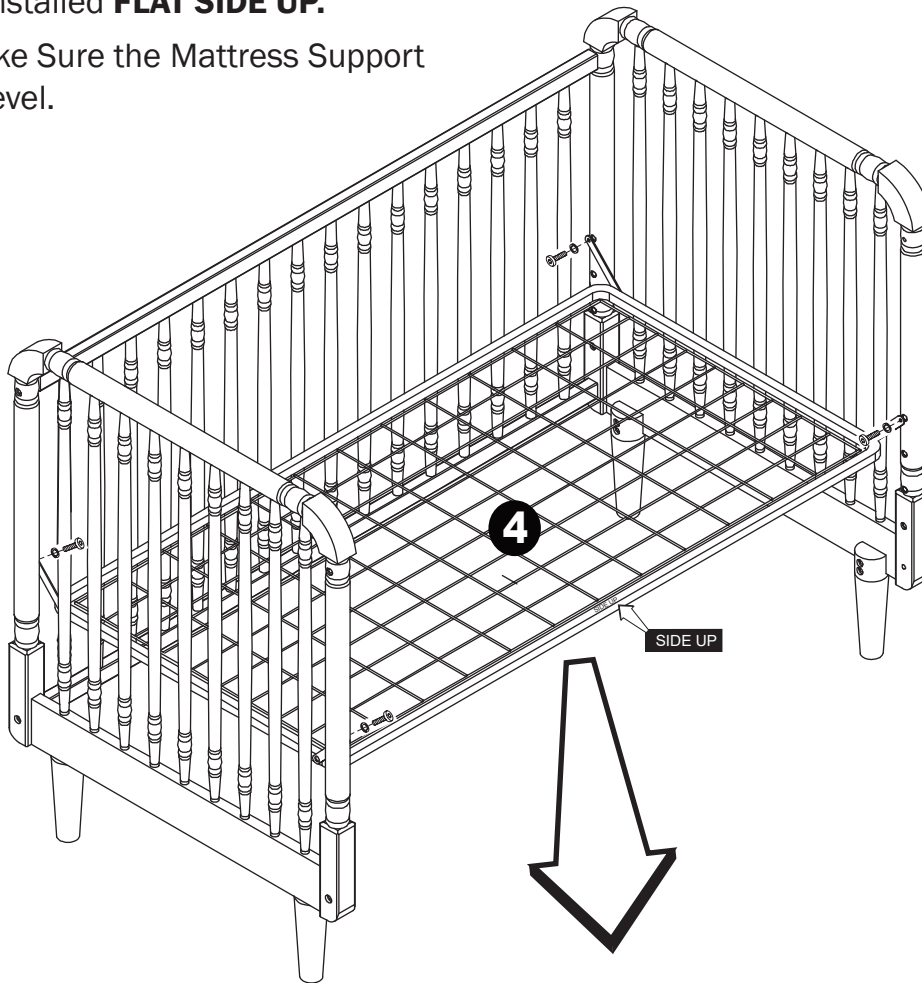
- 1** Left Headboard
- 2** Right Headboard
- 3** Stationary Side
- 4** Mattress Support

STEP ONE: Attach Stationary Side to the Two Headboards DO NOT OVERTIGHTEN.



STEP TWO: Attach Mattress Support

- Make Sure the Mattress Support is installed **FLAT SIDE UP**.
- Make Sure the Mattress Support is level.

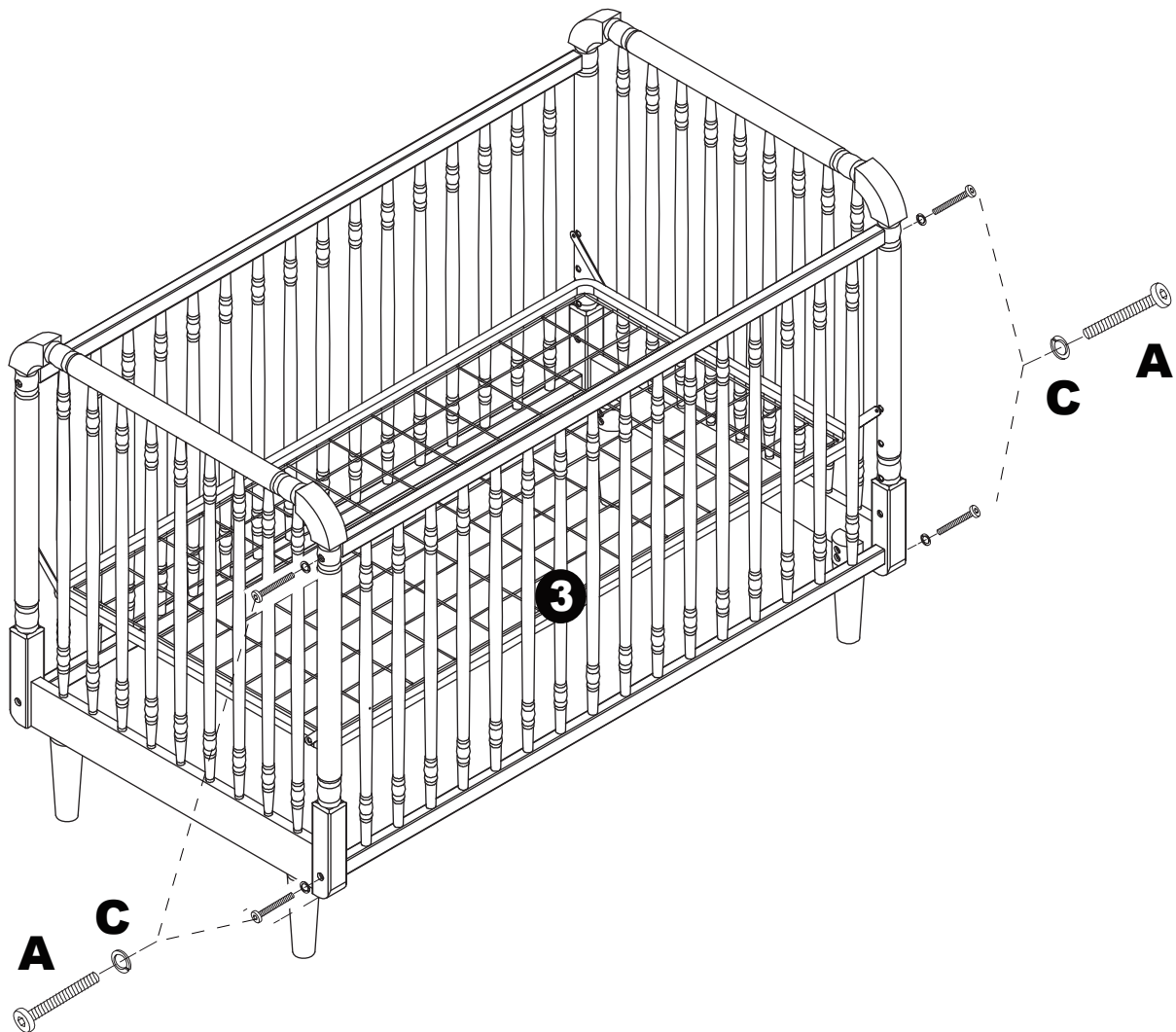


- Choose height of mattress support and install accordingly.
- It is important to lower the mattress support as the child grows older.
- Please review the caution and warning statements for more important information.

STEP THREE: Attach Stationary Side to the Crib

Recheck all screws and bolts to be sure they are fastened securely.

DO NOT OVERTIGHTEN.





CAUTION: ANY MATTRESS USED IN THIS CRIB MUST BE AT LEAST 27 1/4 INCHES (69CM) BY 51 5/8 INCHES (131CM) WITH A THICKNESS NOT EXCEEDING 6 INCHES (15CM).

WARNING: PLEASE DO NOT REMOVE ANY WOOD SCREWS IN THE NORMAL DISASSEMBLY OF THE CRIB.

BE SURE TO READ ALL WARNINGS AND CAUTIONARY STATEMENTS BEFORE USAGE.

KEEP THIS MANUAL IN THE SLEEVE ATTACHMENT TO THE MATTRESS SUPPORT FOR FUTURE REFERENCE.

READ ALL INSTRUCTIONS BEFORE ASSEMBLING CRIB. KEEP THE MANUAL FOR FUTURE USE.



WARNING

Failure to follow these warnings and assembly instructions could result in serious injury or death.

CAUTION: ANY MATTRESS USED IN THIS CRIB MUST BE AT LEAST 27 1/4 INCHES (69CM) BY 51 5/8 INCHES (131CM) WITH A THICKNESS NOT EXCEEDING 6 INCHES (15CM).

- Do not use this crib if you cannot exactly follow the accompanying instructions.
- Infants can suffocate on soft bedding. Never add a pillow or comforter. Never place additional padding under an infant.
- To reduce the risk of SIDS, pediatricians recommend healthy infants be placed on their backs to sleep, unless otherwise advised by your physician.
- Strangulation Hazard: Strings can cause strangulation! Do not place items with a string around a child's neck, such as hood strings or pacifier cords. Do not place cords, straps, or similar items that could become wound around the child's neck in or near this crib. Do not suspend strings over a crib or attach strings to toys.
- To help prevent strangulation tighten all fasteners. A child can trap parts of the body or clothing on loose fasteners.
- DO NOT place a crib near a window where cords from blinds or drapes may strangle a child. Do not place this crib near a window or a patio door where a child could reach the cord of a blind or curtain and be strangled.
- Fall Hazard: When a child is able to pull to a standing position, set the mattress to the lowest position and remove bumper pads, large toys and other objects that could serve as steps for climbing out.
- Do not use this crib if the child is able to climb out unaided or is taller than 35 in. (89cm).
- Check this product for damaged hardware, loose joints, loose bolts or other fasteners, missing parts or sharp edges before and after assembly and frequently during use. Securely tighten loose bolts and other fasteners. DO NOT use crib if any parts are missing, damaged or broken. DO NOT substitute parts.
- DO NOT use a water mattress with this crib.
- For cribs equipped with teething rails, replace teething rail if damaged, cracked or loose.
- If refinishing, use a non-toxic finish specified for children's products.
- Never use plastic shipping bags or other plastic films as mattress covers because they can cause suffocation.
- Infants can suffocate in gaps between crib sides when used with a mattress that is too small.
- Follow warnings on all products in a crib.
- Ensure that the sides are properly latched or locked in place when the crib is occupied.
- The mattress used with this crib should not be more than 15cm thick and should be of such length with width that the gap between the mattress and the sides of the crib is no more than 3cm when the mattress is pushed into the corner of the crib.



WARNING : STRANGULATION HAZARD

Failure to follow these warnings and the assembly instructions could result in serious injury or death from entrapment or strangulation.

Openings in and between bed parts can entrap head and neck of a small child. NEVER use bed with children younger than 15 months. ALWAYS follow assembly instructions. NEVER place bed near windows where cords from blinds or drapes may strangle a child. NEVER suspend strings over bed. NEVER place items with a string, cord, or ribbon, such as hood strings or pacifier cords, around a child's neck. These items may catch on bed parts.

Care, cleaning, and storage:

Do not scratch or chip the finish. Do not use abrasive chemicals for cleaning. Clean with mild soap on a soft rag. Rinse and dry thoroughly. If you ever refinish this furniture, be sure to use only a non-toxic finish specified for children's products. When storing crib, do not store it in places where it may be exposed to heat or moisture.

Please visit our website at www.ecochicbaby.com. There you can find more product information, register for your product, contact us or request replacement parts.

Or you can write to us at:
Eco Chic Baby
14001 Rosecrans Ave.
La Mirada, CA 90638

Customer Service Line: 562-926-6089
Hours: M-F 9:00AM - 5:00PM



(CUT HERE TO MAIL)

GLOBAL RELEAF DONOR CARD

PLEASE PRINT CLEARLY

NAME _____

ADDRESS _____

CITY _____ STATE _____ ZIP _____

PHONE _____

EMAIL _____

CHILD'S FULL NAME _____
(As you would want it to appear on the certificate)

BIRTHDATE (MONTH/DAY) _____ SEX M F (PLEASE CIRCLE ONE)

Trees will be planted on your child's behalf to the Global Relief Fund. This program involves many regions in the United States urgently needing trees.



Global ReLeaf
AMERICAN FORESTS

The Global ReLeaf program has worked with numerous partners to plant trees in every state in the US, and in 38 countries around the world. Millions of trees have been planted with our help in area damaged by natural causes or human activity.

Because natural disasters like sever storms and intense wildfires can damage or destroy large numbers of trees, the program works to replant the areas that have been deforested. After Hurricane Katrina, American Forests worked with the Gulf Coastcommunities to get new trees planted as quickly as possible. And each year, many of the projects in wester forests are aimedat replating areas that can no longer regenerate naturally because of high-intensity burns.

Restoratio of any woodland will provide habitat for a wide variety of creatures, and some projects have been planted specifically to provide food and shelter for birds and animals as their habitats are destroyed or degraded by climate change, wildefire, human activity, or a number of other causes.

You will recieve a certificate in the mail certifying that trees have been planted on your child's behalf and a one year subscription for American Forest's Quarterly Magazine at no charge. Please allow 8-10 weeks to process. Thank you for choosing Eco Chic Baby.

PRODUCT PURCHASED (Check all that apply)

- Kennedy 4in1 Crib
- Kennedy Classic Crib
- 5 Drawer Dresser
- Double Dresser
- Bookcase
- Nightstand

FINISH

- Pure White
- Twilight Grey

SERIAL NO# _____

CAN BE FOUND ON A LABEL ON THE INSIDE HEADBOARD PANEL OF THE CRIB



Please mail this completed form in an envelope to:

ECO CHIC BABY

14001 Rosecrans Ave.

La Mirada, CA 90638