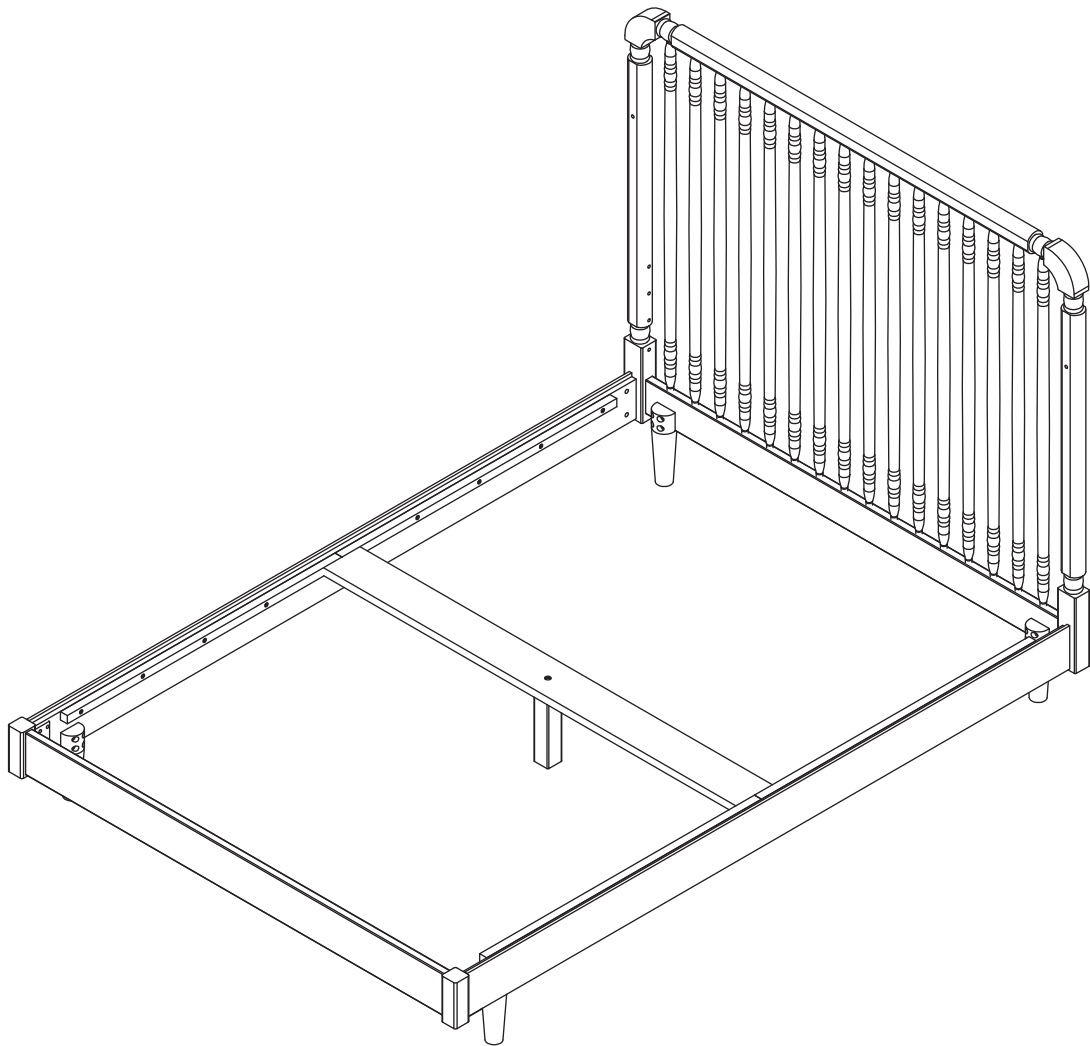


# KENNEDY

## Full-Size Rail Instructions



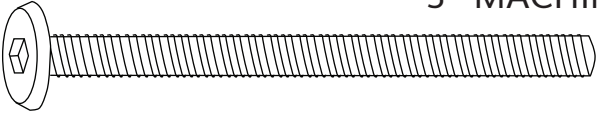
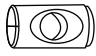
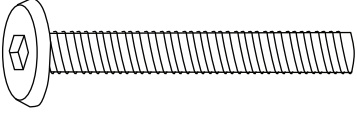
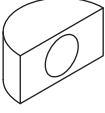
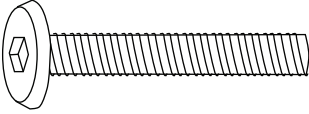

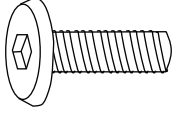

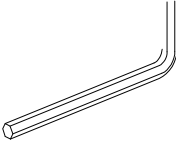
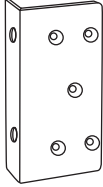
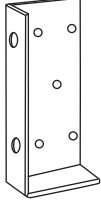
# IMPORTANT NOTES BEFORE YOU INSTALL

ASSEMBLE UNIT IN A DEBRIS FREE LOCATION TO PREVENT SCRATCHING OF PIECES.

USING A POWER SCREWDRIVER MAY DAMAGE AND STRIP THE WOOD. DO NOT USE.

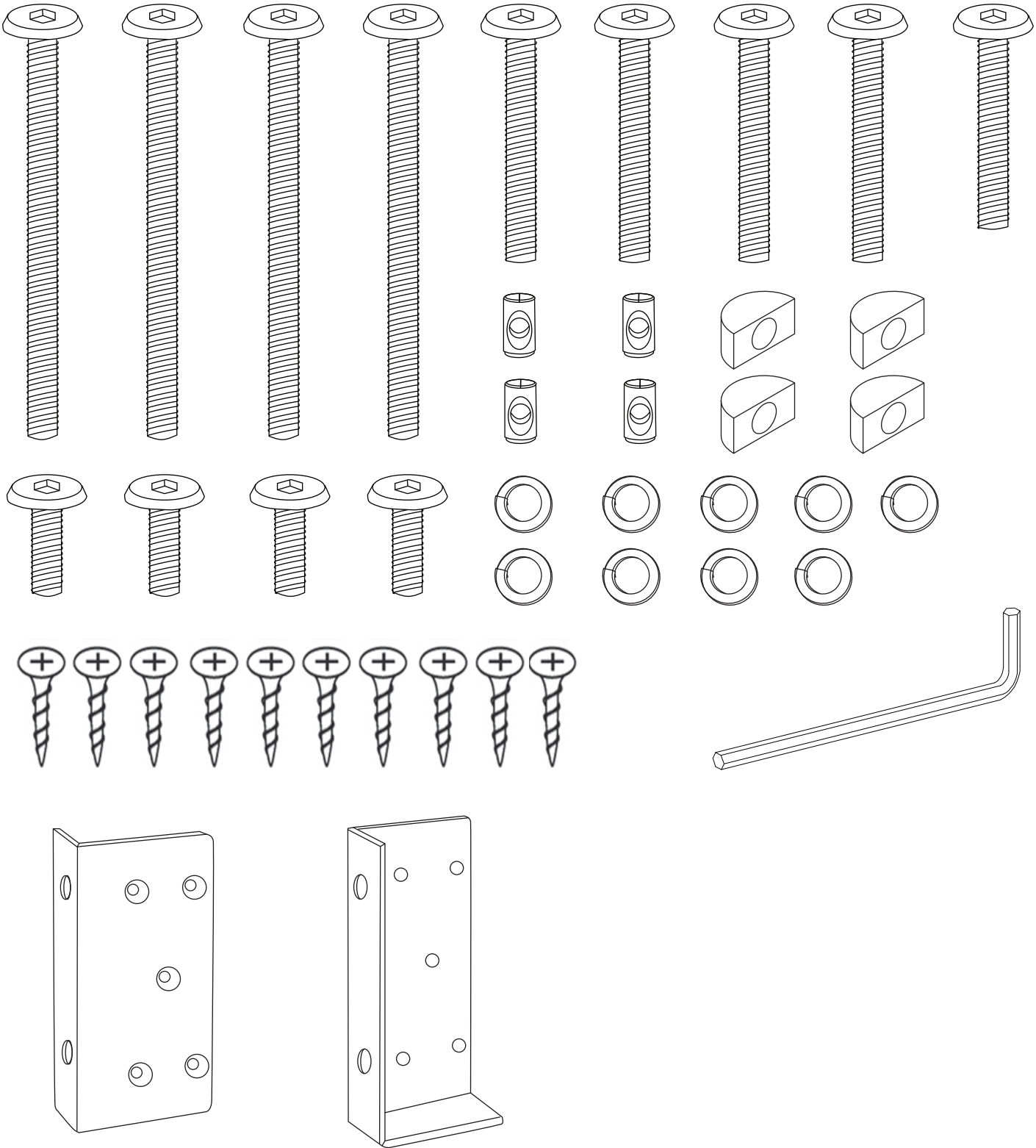
**DO NOT FULLY THIGHTEN THE BOLTS UNTIL THE CRIB IS COMPLETELY ASSEMBLED.**

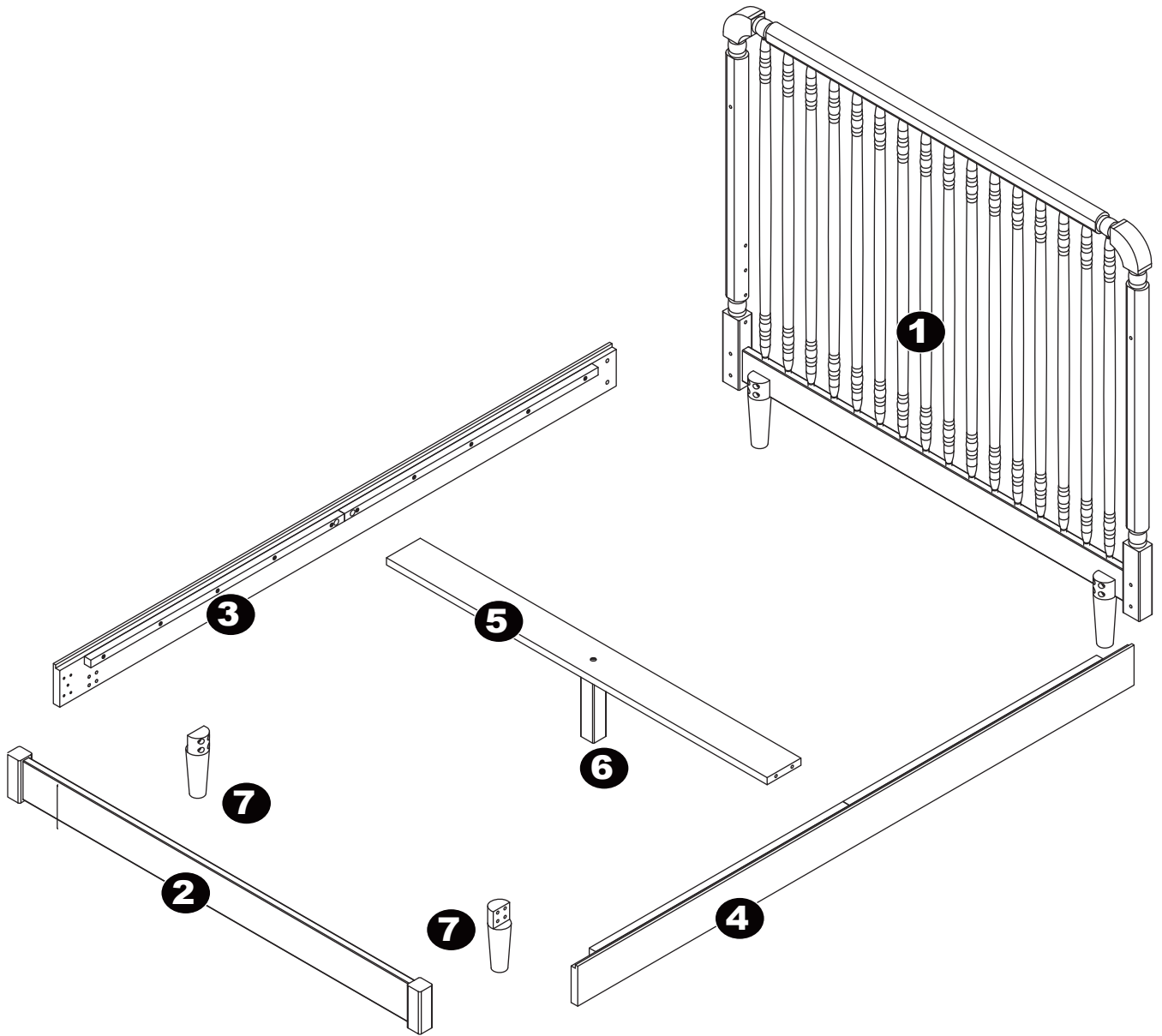
## HARDWARE

<b>A</b> 	3" MACHINE BOLT <b>x 4</b>	<b>B</b> 	BARREL NUT <b>x 4</b>
<b>C</b> 	1.75" MACHINE BOLT <b>x 4</b>	<b>D</b> 	CURVE WASHER <b>x 4</b>
<b>E</b> 	1.5" MACHINE BOLT <b>x 1</b>	<b>F</b> 	LOCK WASHER <b>x 9</b>
<b>G</b> 	<b>H</b> 	<b>I</b> 	
<b>J</b> 		<b>K</b> 	

# HARDWARE FOR CRIBS

SEPERATE HARDWARE FIRST FOR EASIER INSTALLATION

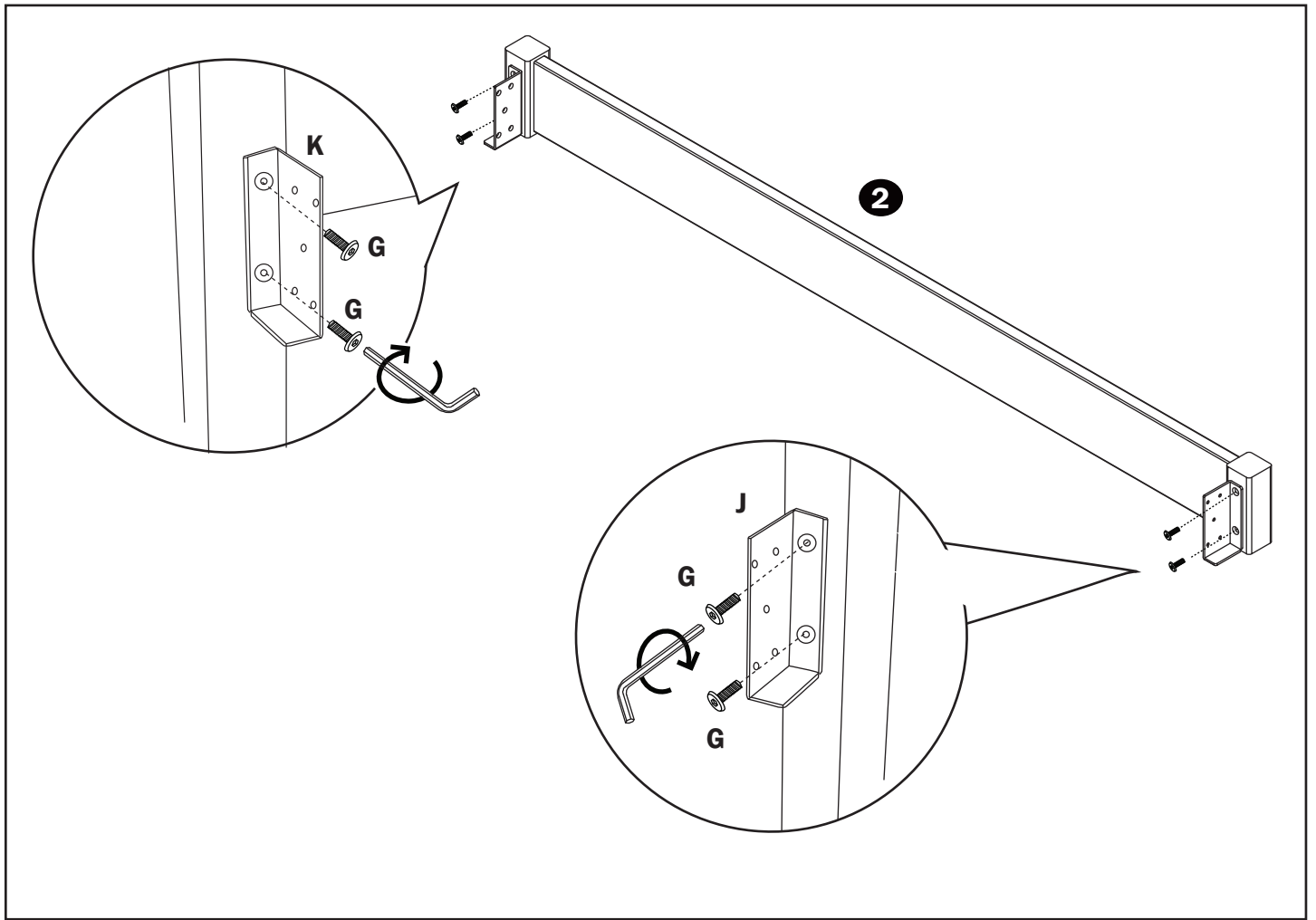




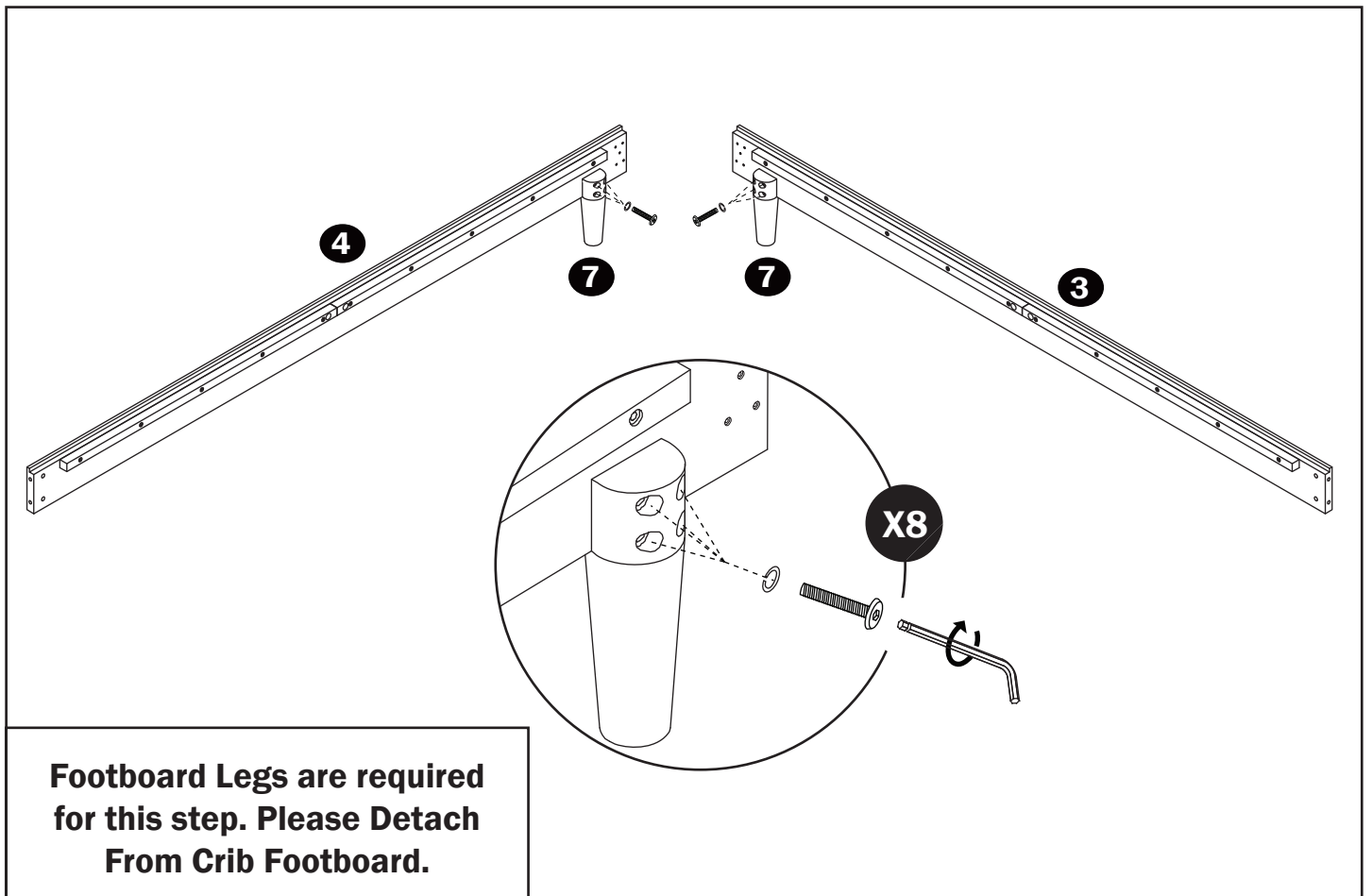
## PARTS LIST

- 1** Headboard
- 2** Footboard
- 3** Left Rail
- 4** Right Rail
- 5** Center Support
- 6** Center Support Leg
- 7** Footboard Legs (**From Crib**)

# STEP ONE: Attach Bracket to the Footboard

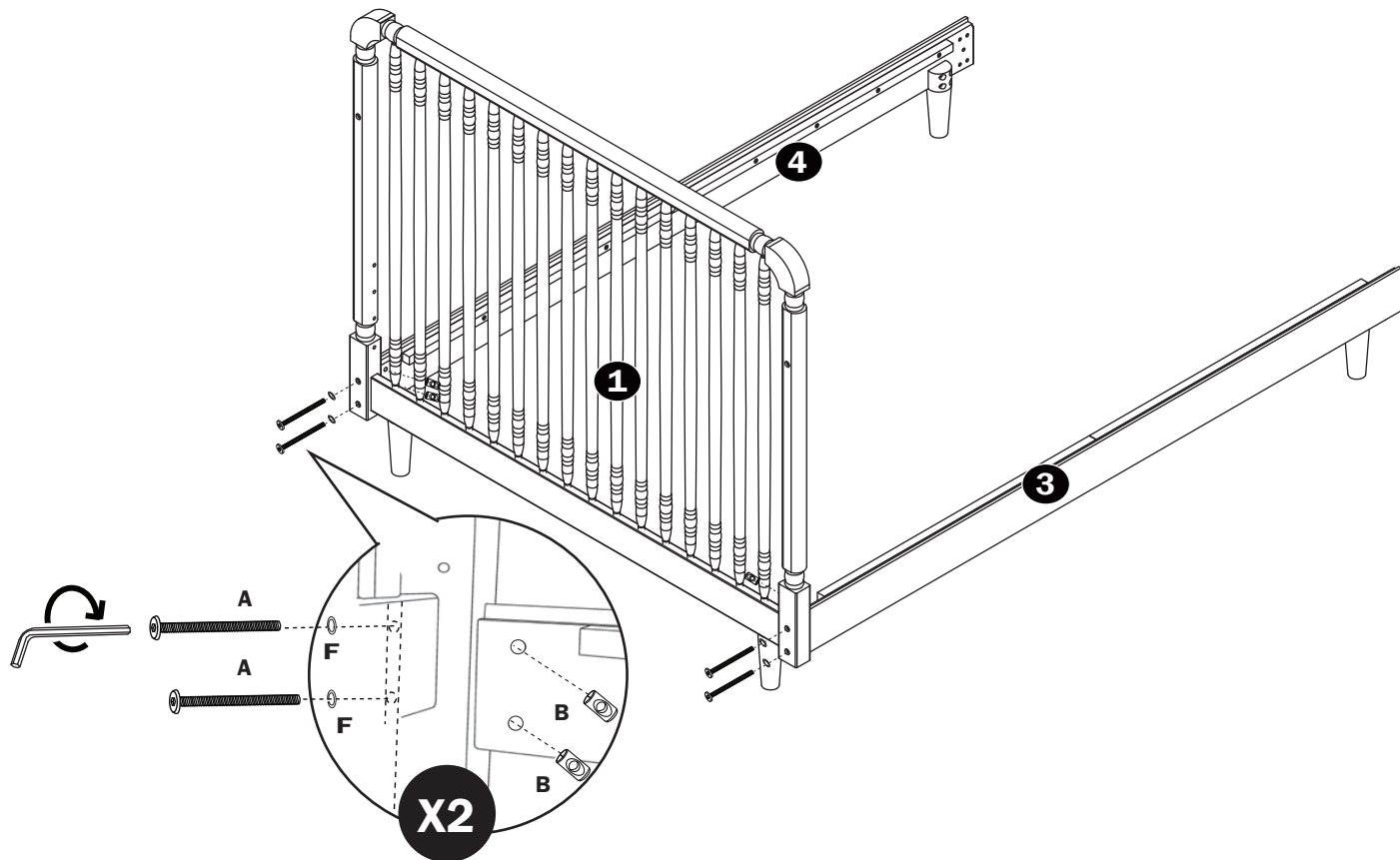


# STEP TWO: Attach Footboard Legs to the Rail



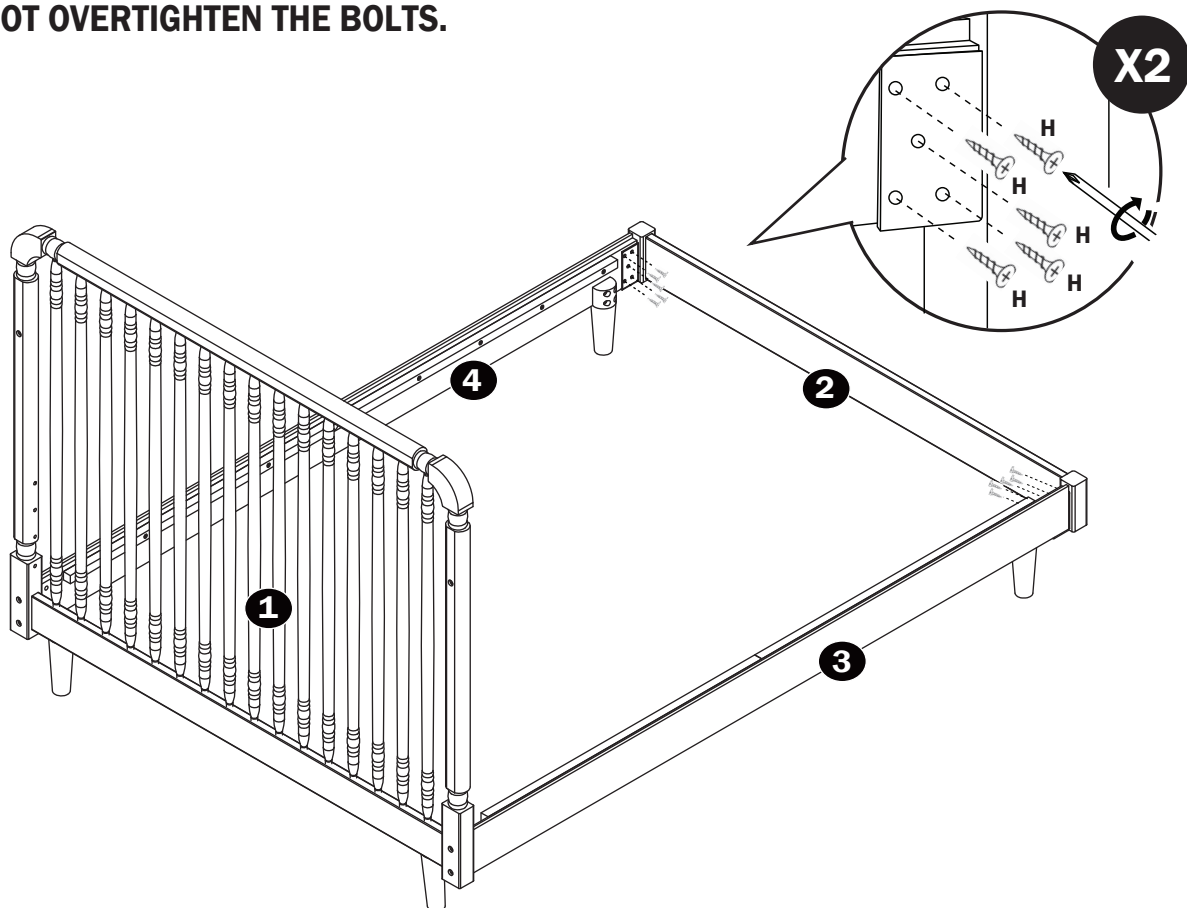
# STEP THREE: Attach Rail to the Headboard

**DO NOT OVERTIGHTEN THE BOLTS.**



# STEP FOUR: Attach Rail to the Footboard

**DO NOT OVERTIGHTEN THE BOLTS.**



# STEP FIVE: Attach Center Rail to the Left Rail & Right Rail.

